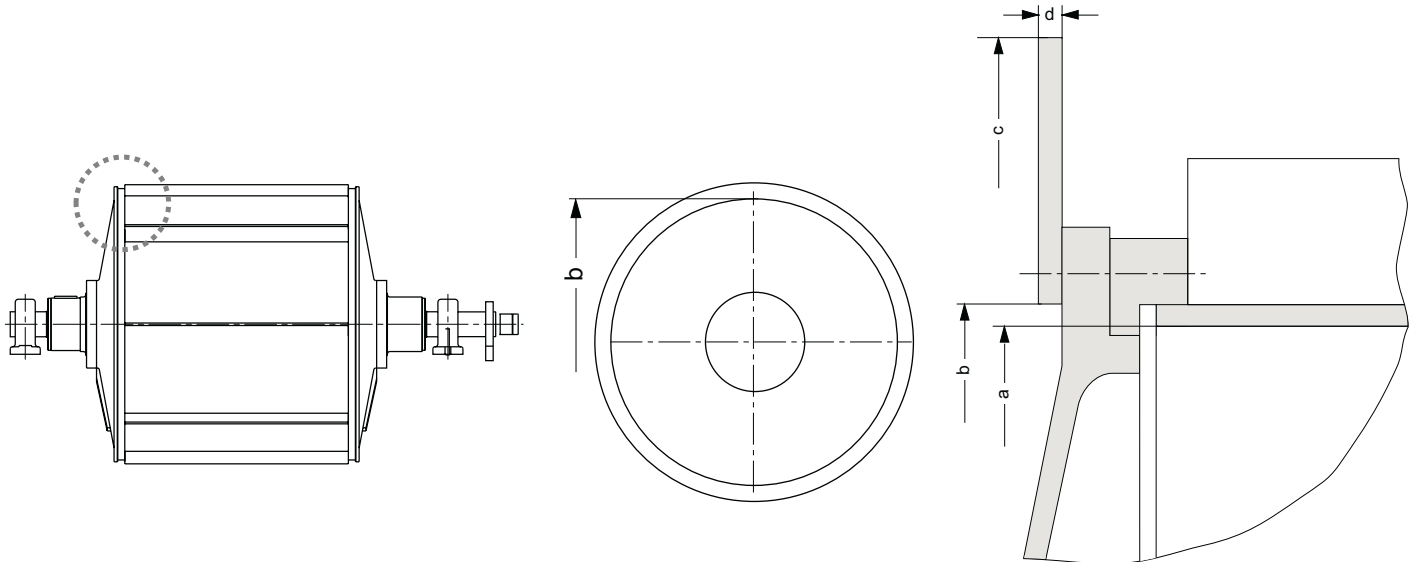


**Begrenzungsringe**  
**Limiting rings**  
**Disques de limitation**

STEINERT Elektromagnetbau GmbH • Widdersdorfer Str. 329-331, D-50933 Köln • Tel.+49 (0) 221 49 84 0 • Fax +49 (0) 221 49 84 102 • sales@steinert.de



Technische Änderungen vorbehalten • Subject to technical alterations • Sous réserve d'éventuelle modification technique

| Typ<br>Type<br>Type | Abmessungen<br>Dimensions<br>Dimensions |       |       |    | Anzahl der<br>Segmente<br>je Seite<br>Number of<br>segments<br>per side<br>Nombre de<br>segments<br>par coté | Schrauben-<br>größe<br>Screw size<br>Taille des vis | Anzahl der<br>Schrauben<br>je Seite<br>Number of<br>screws per<br>side<br>Nombre de<br>vis par coté | Gewicht<br>pro Satz<br>Weight<br>per set<br>Poids<br>par jeu |
|---------------------|---|-------|-------|----|--|---|---|--|
|                     | a                                       | b     | c     | d  |  |   |   |  |
|                     | mm                                      | mm    | mm    | mm |  |   |   | kg   |
| MT...80             |   |       |       | 5  |  |   |   | 81   |
| MT...80             | 800                                     | ø802  | ø1400 | 8  |  | M 10 x 45   |   | 130  |
| MT...80             |   |       |       | 10 |  |   |   | 162  |
| MT...100            |   |       |       | 5  |  |   |   | 96   |
| MT...100            | 1000                                    | ø1002 | ø1600 | 8  |  |   |   | 153  |
| MT...100            |   |       |       | 10 |  | M 12 x 45   |   | 192  |
| MT...120            |   |       |       | 5  |  |   |   | 111  |
| MT...120            | 1200                                    | ø1202 | ø1800 | 8  | 2  |   | 18  | 177  |
| MT...120            |   |       |       | 10 |  |   |   | 221  |
| MT...150            |   |       | ø2000 | 5  |  |   |   | 107  |
| MT...150            |   |       |       | 8  |  |   |   | 172  |
| MT...150            | 1500                                    | ø1502 | ø2300 | 5  |  |   |   | 187  |
| MT...150            |   |       |       | 8  |  |   |   | 299  |
| MT...150            |   |       | ø2120 | 10 |  |   |   | 215  |
| MT...150            |   |       | ø2300 |    |  | M 16 x 65   |   | 374  |
| MT...180            |   |       | ø2220 | 8  |  |   |   | 157  |
| MT...180            |   |       | ø2400 |    |  |   |   | 248  |
| MT...180            | 1800                                    | ø1802 |       | 5  | 4  |   | 24  | 216  |
| MT...180            |   |       | ø2600 | 8  |  |   |   | 346  |
| MT...180            |   |       |       | 10 |  |   |   | 433  |